



Highly versatile solution for filling thin or foamy products to a visual level.

Economy Automatic Overflow Fillers from Apex Filling Systems are ideal for thin to medium viscosity liquid products, including products that are "foamy" by nature. Overflow filling machines are used to produce a cosmetic fill level, making them ideal for filling transparent containers that require a consistent fill level. Overflow Fillers are very well suited to fill water thin to medium viscosity products.

These fillers are well suited for personal care, cleaning chemicals, pharmaceutical, cosmetic, beverage or food application. Overflow filling machines are also the best choice for filling products where the internal volume of a container may vary slightly, such as glass bottles. By filling to a level, this type of bottle filler insures consistent fill levels from bottle to bottle,



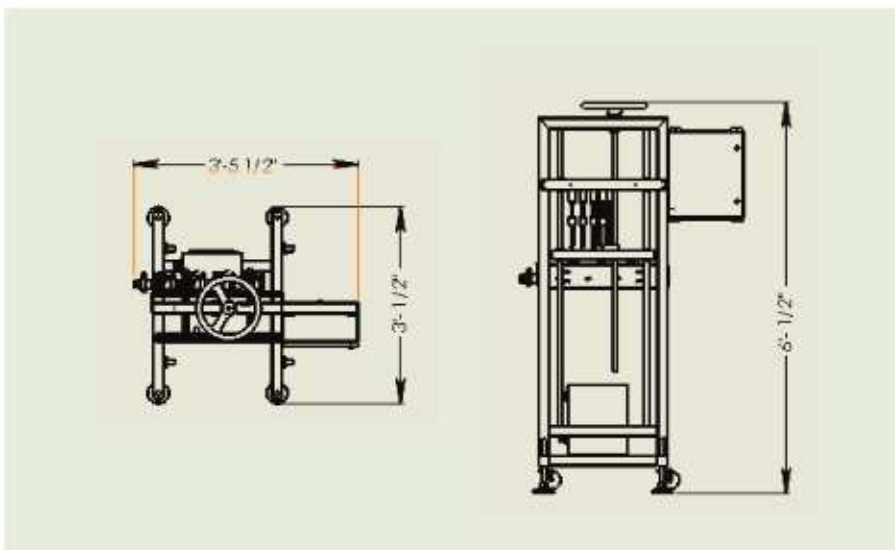
Economy Automatic Overflow Filler

Features

- Heavy duty 304SS free standing frame
- User friendly touch screen HMI
- Product reservoir
- Available with 1 to 4 fill heads
- Pneumatic indexing gates
- Automatic product level float system
- No bottle/no fill sensor
- Bottle back up sensor (downstream) delays filler operation until jam is cleared
- On/off and speed controls for conveyor
- Front panel start and emergency stop
- Container counter
- Tool free adjustment
- Upgradeable
- Made in the USA

Options

- Automatic drip tray
- Bottle grabbers – neck grabbers
- Hazardous location/environment construction
 - Class I, Division II, Group C & D
- Corrosion resistant construction, including all contact parts
- Product agitation and mixing
- Sanitary style construction
- High temperature applications
- Positive shut off nozzles
- Various fill head and nozzle sizes



Applications:

- *Water
- *CBD and Essential Oils
- *Vape and E-Cig
- *Distilled Spirits
- *Household Chemicals
- *Detergents
- *Degreasers
- *Paints/Stains