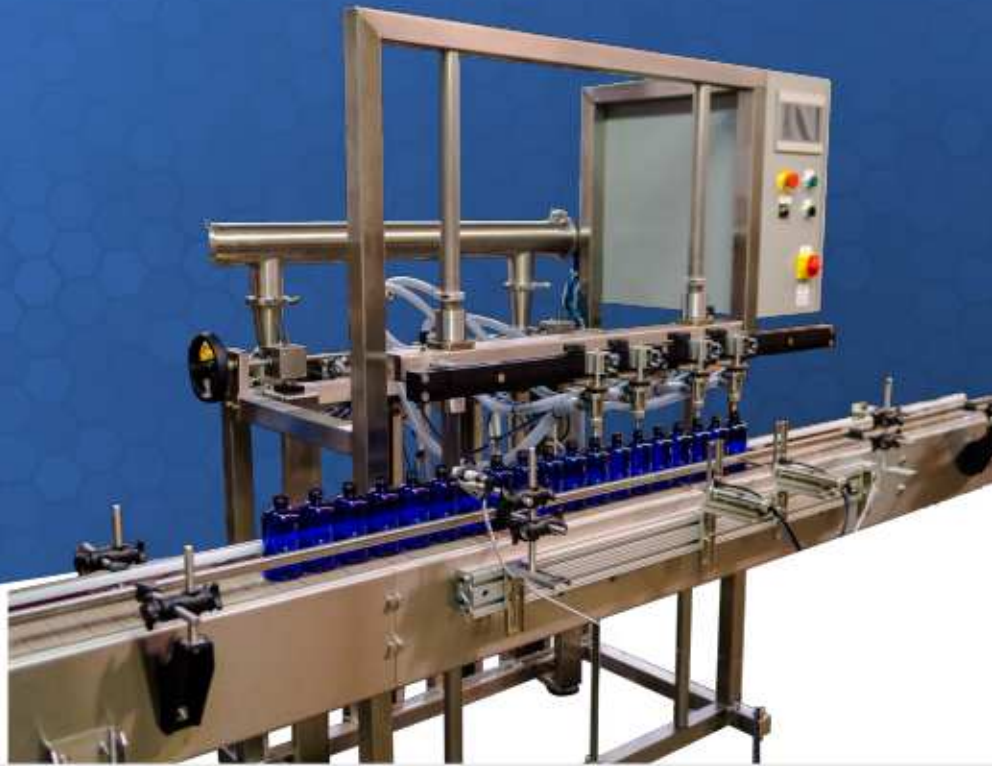


Piston Filling Solutions

Automatic Piston Filler



Piston Fillers are ideally suited for nearly any production environment and can handle a wide range of products and containers.

The Automatic Piston Filler is an extremely flexible filler capable of filling accurately any viscous liquids. The Automatic Piston Filler is ideal for filling liquids, semi-solids and products with particulates. Product delivery from your bulk tank to the pistons can be configured with a buffer tank utilizing a level-sensing float, a manifold with direct draw, or re-circulation methods.

The Automatic Piston Filler produces repeatable and accurate fill volumes. Piston Fillers are commonly used in the food service, cleaning and specialty chemical, pharmaceutical, cosmetic and personal care industries for various filling projects. The Automatic Piston Filler works well in a wide variety of applications including sanitary, hazardous and flammable environments.



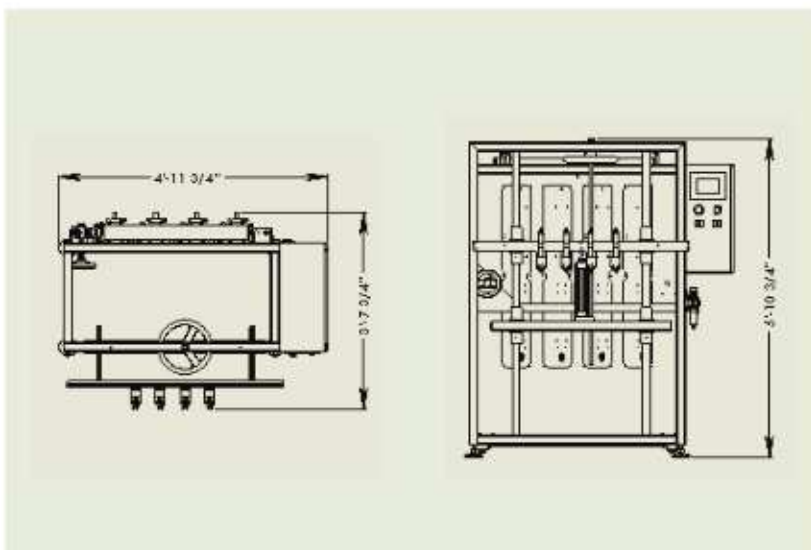
Automatic Piston Filler

Features

- Heavy duty 304SS free standing frame
- User friendly touch screen HMI
- Contact parts are food grade sanitary.
- Available with 1 to 12 fill heads
- Positive close fill heads
- Pneumatic indexing gates
- No bottle/no fill sensor
- Bottle back up sensor
- On/off and speed controls for conveyor
- Front panel start and emergency stop
- Production counter
- Tool free adjustment
- Upgradeable
- Made in the USA

Options

- Automatic drip tray
- Bottle grabbers – neck grabbers
- Star wheel or timing screw indexing
- Hazardous location/environment construction
 - Class I, Division II, Group C&D
- Stainless steel tank
- Heated stainless steel tank
- Product agitation and mixing
- Diving heads
- Bottom up filling
- Clean in place system
- Washdown motors and controls
- Servo driven pistons



Applications:

- *CBD and Essential Oils
- *Vape and E-Cig
- *Sauces, Syrups and Dressings
- *Chunky Food Products with Particulates
- *Pharmaceutical and Nutraceutical
- *Petroleum and Automotive
- *Molten Products
- *Household Chemicals
- *Detergents
- *Degreasers
- *Personal Care Products
- *Shampoos, Creams and Lotions